

Bus protocol Cordset



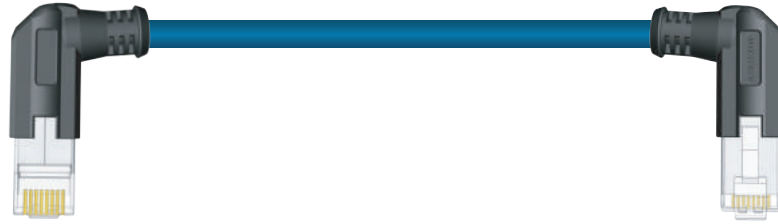
TwoSided-Moulded Cordset



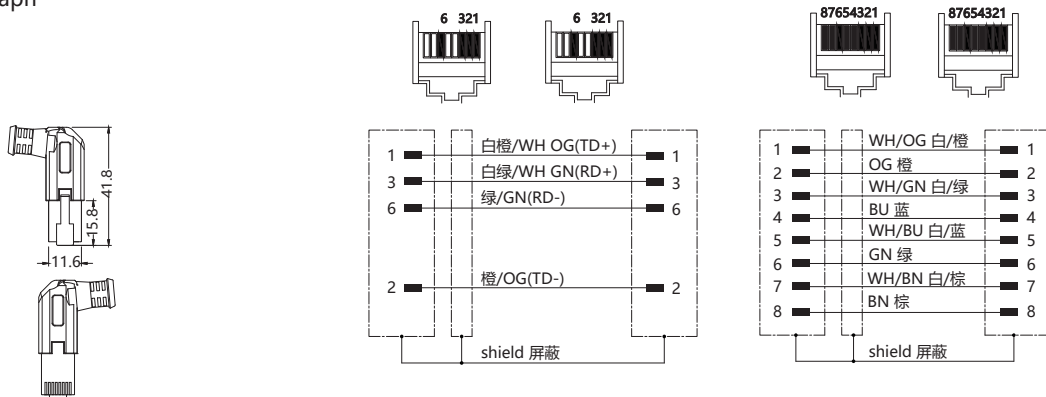
EtherCAT



ISO 9001 (2015) QMS



Graph



FixedMounting	DK GN 3m	2RJ45S4Y-3.0NIGD/BG	2RJ45S8Y-3.0NIGD/BG
FixedMounting	DK GN 5m	2RJ45S4Y-5.0NIGD/BG	2RJ45S8Y-5.0NIGD/BG
FixedMounting	DK GN 10m	2RJ45S4Y-10.0NIGD/BG	2RJ45S8Y-10.0NIGD/BG
MovableMounting	DK GN 3m	2RJ45S4Y-3.0NIYD/BG	2RJ45S8Y-3.0NIYD/BG
MovableMounting	DK GN 5m	2RJ45S4Y-5.0NIYD/BG	2RJ45S8Y-5.0NIYD/BG
MovableMounting	DK GN 10m	2RJ45S4Y-10.0NIYD/BG	2RJ45S8Y-10.0NIYD/BG
DragChain	DK GN 3m	2RJ45S4Y-3.0NITL/BG	2RJ45S8Y-3.0NITL/BG
DragChain	DK GN 5m	2RJ45S4Y-5.0NITL/BG	2RJ45S8Y-5.0NITL/BG
DragChain	DK GN 10m	2RJ45S4Y-10.0NITL/BG	2RJ45S8Y-10.0NITL/BG

Length/Material Could be customized according to different enviroment ,like extrame temperture and acid/alkali

Voltage	48 V AC	60 V DC
Core cross-section	2*2*26AWG	4*2*26AWG
Ambient temperature	-25~+85°C	
SignalType	CAT5e	CAT6A

